

DATE: 12-10-08
INSTALLED BY: SAS BORING
INSPECTED BY: REX MOLL
1"=20'



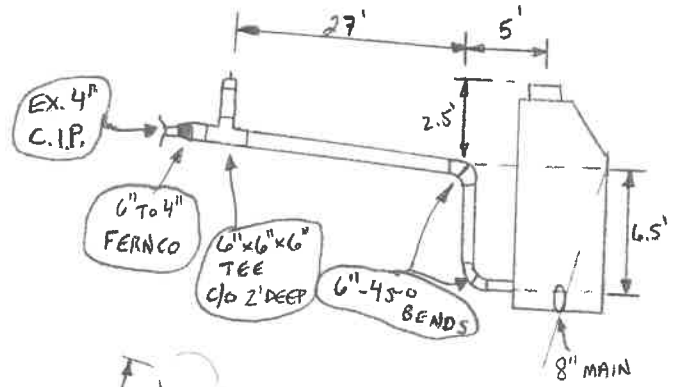
1420

18'

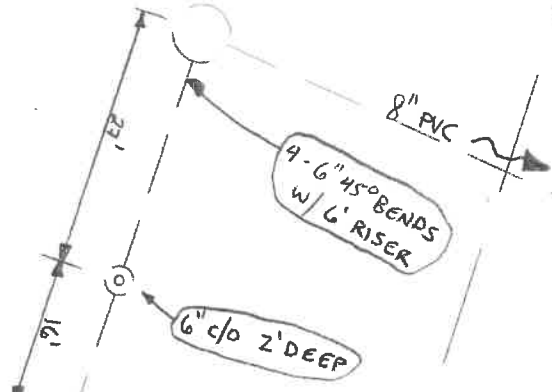
WOODLAWN AVE.

DATE: 12-9-08
INSTALLED BY: S & S BORING
INSPECTED BY: REX MOLL

1" = 20"



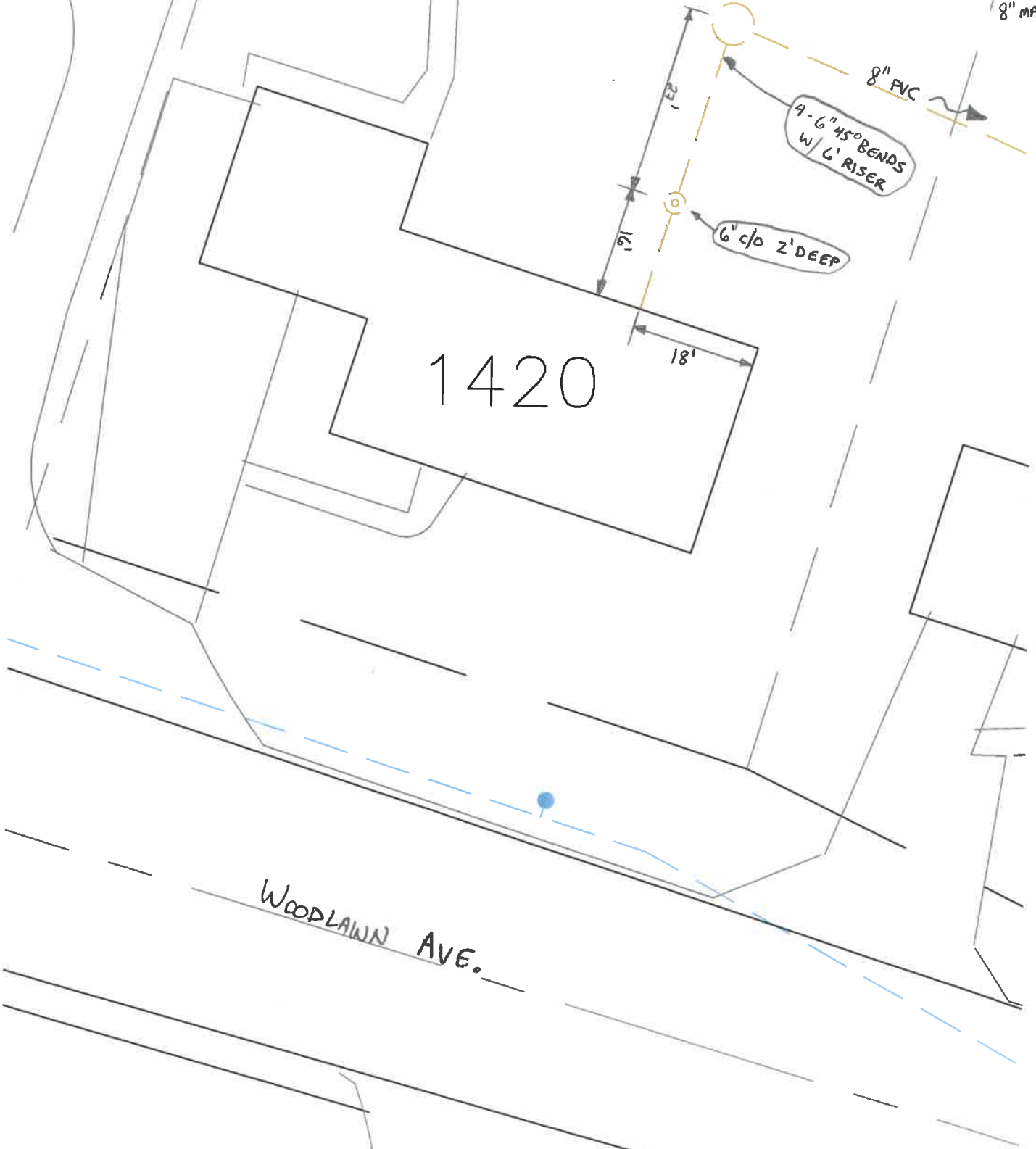
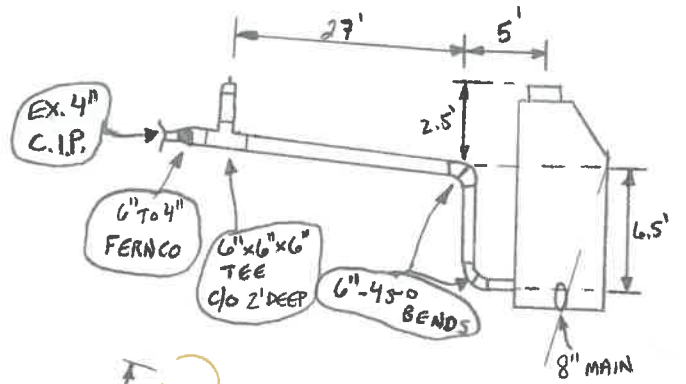
1420



WOODLAWN AVE.

DATE: 12-9-08
INSTALLED BY: S & S BORING
INSPECTED BY: REX MOLL

1" = 20"





CITY OF NAPOLEON

ENGINEERING DEPARTMENT

255 West Riverview Avenue, P. O. Box 151 Napoleon, OH 43545

Chad E. Lulfs, P.E., P.S., City Engineer

Telephone: 419/592-4010 Fax: 419/599-8393

www.napoleonohio.com

October 27, 2008

1420 Woodlawn

Re: Glenwood Avenue & Woodlawn Avenue
Septic Tank Removal Project

To Whom It May Concern,

The City of Napoleon has a project scheduled to connect your property to the City of Napoleon's sanitary sewer system. This involves installing new sanitary sewers and connecting your existing sanitary outlet to the new sewers. This project also includes the abandonment of your existing septic tank.

Please note that this project will be of no cost to you. We simply ask that you assist us when necessary; there may be instances when City personnel need to enter your residence to locate the existing sanitary line.

Work on this project is scheduled to begin the week of November 10, 2008. If you have any questions or require any additional information, please contact me at your convenience.

Yours truly,

Chad E. Lulfs, P.E., P.S.

City of Napoleon Engineer

cc: Dr. Jon A. Bisher, City Manager
Martin Crossland, Staff Engineer
Rex Moll, Construction Inspector